

Mlift



SBP16EA Electric Stacker 1.6t

SBP16EA

Electric Stacker 1.6t

Distinguishing mark				
1.1	Model designation		SBP16EA	
1.2	Drive unit		Electric	
1.3	Operation type		Standing	
1.4	Rated capacity	Q	kg	1600
1.5	Load center distance	c	mm	600
1.6	Load distance, center of drive axle to fork	x	mm	693
1.7	Wheelbase	y	mm	1375
Weight				
2.1	Service weight (include battery)		kg	1240
2.2	Axle loading, laden driving side/loading side		kg	950/1880
2.3	Axle loading, unladen driving side/loading side		kg	860/380
Type, Chassis				
3.1	Tyre type driving wheels/loading wheels			PU/PU
3.2	Tyre size, driving wheels (diameter*width)		mm	Φ230x75
3.3	Tyre size, loading wheels (diameter*width)		mm	Φ85x70
3.4	Tyre size, caster wheels (diameter*width)		mm	Φ130x55
3.5	Wheels, number driving, caster/loading (x=drive wheels)		mm	1x +1/4
3.6	Track width, front, driving side	b ₁₀	mm	574
3.7	Track width, rear, loading side	b ₁₁	mm	380/410/495
Dimensions				
4.1	Height, mast lowered	h ₁	mm	2020
4.2	Free lift	h ₂	mm	100
4.3	Lift height	h ₃	mm	2950
4.4	Height, mast extended	h ₄	mm	3465
4.5	Height drawbar in driving position min./max.	h ₁₄	mm	1150/1480
4.6	Lowered height	h ₁₃	mm	88
4.7	Overall length	l ₁	mm	2495
4.8	Length to fact to forks	l ₂	mm	879
4.9	Overall width	b ₁	mm	850
4.10	Fork dimensions	s/e/l	mm	60x190x1150
4.11	Fork carriage width	b ₃	mm	800
4.12	Distance between fork-arms	b ₅	mm	570/600/685
4.13	Ground clearance, center of wheelbase	m ₂	mm	28
4.14	Aisle width for pallets 1000 x 1200 crossways	Ast	mm	2605/2965
4.15	Aisle width for pallets 800 x 1200 lengthways	Ast	mm	2575/2935
4.16	Turning radius	Wa	mm	1730/2090
Performance data				
5.1	Travel speed, laden/unladen		km/h	6.0/8.0
5.2	Lifting speed, laden/unladen		m/s	0.13/0.16
5.3	Lowering speed, laden/unladen		m/s	0.32/0.23
5.4	Max. gradeability, laden/unladen		%	8/16
5.5	Service brake type			Electromagnetic
Electric-engine				
6.1	Drive motor rating S2 60min		kW	1.6
6.2	Lift motor rating at S3 15%		kW	3.0
6.3	The maximum allowed size battery		mm	834x216x630
6.4	Battery voltage/nominal capacity K5		V/Ah	24/210
6.5	Battery weight		kg	200
Addition date				
8.1	Type of drive unit			AC
8.2	Steering type			Electronic Steering
8.3	Sound pressure level at the driver's ear		dB (A)	74

Note: The truck maximum operating hours per charge is dependent on the nature of tasks assigned. For more information on the truck functionality, features, and other customization options, please contact your nearest dealership for assistance.

Built to **TOUGHEST** Engineered to **RUSH**

The SBP16EA is distinctively engineered to improve load handling efficiency and shift expectations that handle a class of its own. It is one of the leading truck models that can **handle up to 1.6T load**, and the operator can choose to **ride on it** and travel over a long distance **or simply walk** along with it to fulfill a simple load stacking task.

Also, with a maximum lift height selections that **lift up to 5.5meters**, the SBP16EA is capable of retaining reasonably **high capacity lift retention** with thanks to its sturdy mast structure. With the inclusion of the **standard EPS (Electric Power Steering)**, your operator is sure to feel delighted with the whole new operating experience.

Just imagine what SBP16EA can do for you, and start experiencing the exceptional benefits for both your businesses and operators today!



✓ **24/7 Secured**

- Exclusive pin-code¹ entry limits any unauthorized usage of the truck

✓ **High Performance AC drive system**

- Smooth travel speed control up to 8km/hr
- Competitive and powerful rated AC drive motor performance

✓ **Quick Battery Access**

- Top access to the battery for easy monitoring of the battery water level
- Standard side battery change system facilitates safer battery change procedures

✓ **Vivid Digital Display & Controls**

- Standard full electric power steering commands effortless steering experience regardless of the load sizes
- Standard digital indicators display Battery level, On/Off status, Running Hours and Fault Code
- Multifunctional electronic control handle facilitates quick controls over simultaneous forks lift, reach, tilt and travel
- Optional integral side-shifter facilitates faster load positioning

✓ **Improved Reliability & Maintenance**

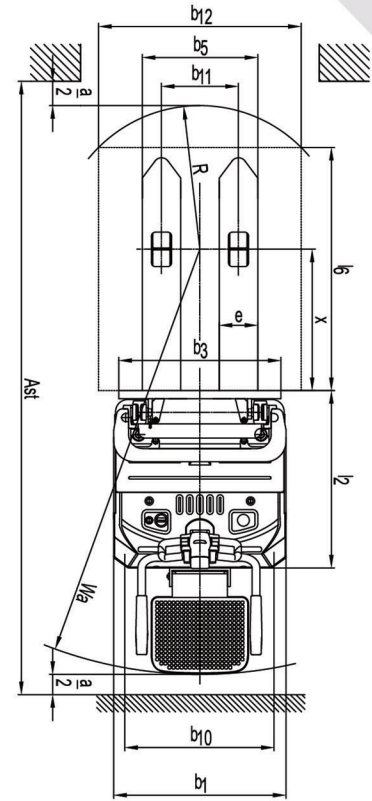
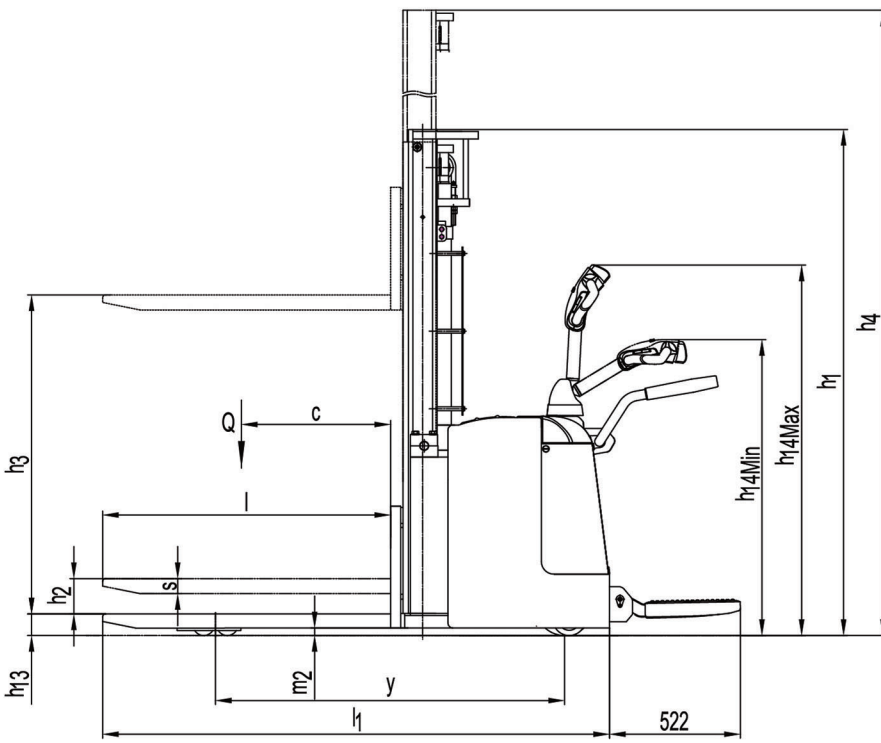
- Hassel free access to the internal key components for quick inspection, maintenance, and replacement works
- Quick plug-in fault diagnostics feature for easy setting and customization of the truck parameters
- IP54 ZAPI AC controller offers better protection against water & dust ingress
- High-quality AMP connectors and durable electrical harnesses
- Efficient heat dissipating design protects components from overheating

✓ **Operator Safety**

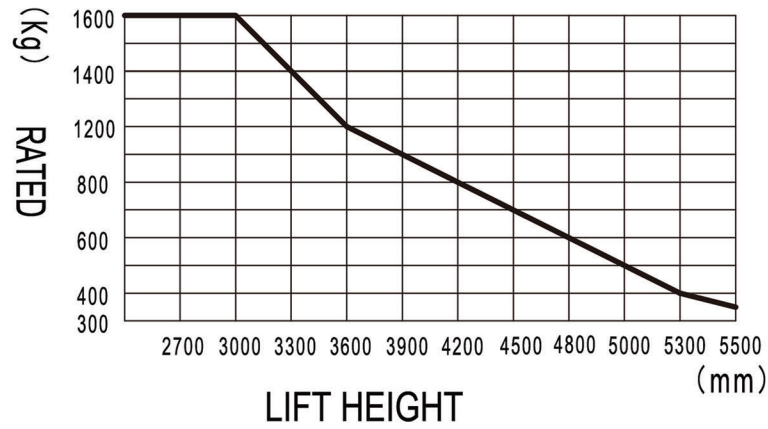
- Sideguards and platform limit switches ensure safe operating procedures to be well observed by the operator
- Automatic travel speed reduction when the forks are lifted above the height setting
- Low voltage protection system automatically limit travel speed and disrupt lift functions when the battery level hits 20% or below
- Creep speed mode automatically decreases the truck travel speed when the tiller arm is at near vertical position
- Down safety valve limit sudden forks drop upon hydraulics failure
- Standard full suspension standing platform for comfortable ride experience
- Full electromagnetic brakes with anti-rollback function
- Optional cold store application available to work at -20 degree Celsius environment



¹Not available with proportional lift valve fitting



RATED CAPACITIES GRAPH



Mast Option

mast types	Lift h3+h13 (mm)	Lowered mast height h1 (mm)	Free lift h2 (mm)	Extended mast height h4 (mm)
Duplex ZT	2700	1870	100	3165
	3000	2020	100	3465
	3300	2170	100	3765
	3600	2320	100	4065
	3900	2470	100	4365
Duplex ZZ	4190	2600	100	4625
	2700	1819	1320	3135
	3000	1969	1470	3435
Triplex DZ	3300	2119	1620	3735
	4000	1822	1390	4460
	4500	2022	1590	4960
	4800	2122	1690	5260
	5000	2187	1760	5460
	5300	2287	1840	5760
	5500	2352	1910	5910



2018 by MLAP, All Rights Reserved.
 All Trademarks are the property of their respective owners.
 Printed in Singapore.
 FML00013 (05/18)